



HF-SOL SUB-15

**MULTI-ENERGY STORAGE TANKS
SUBMITTAL SHEET**

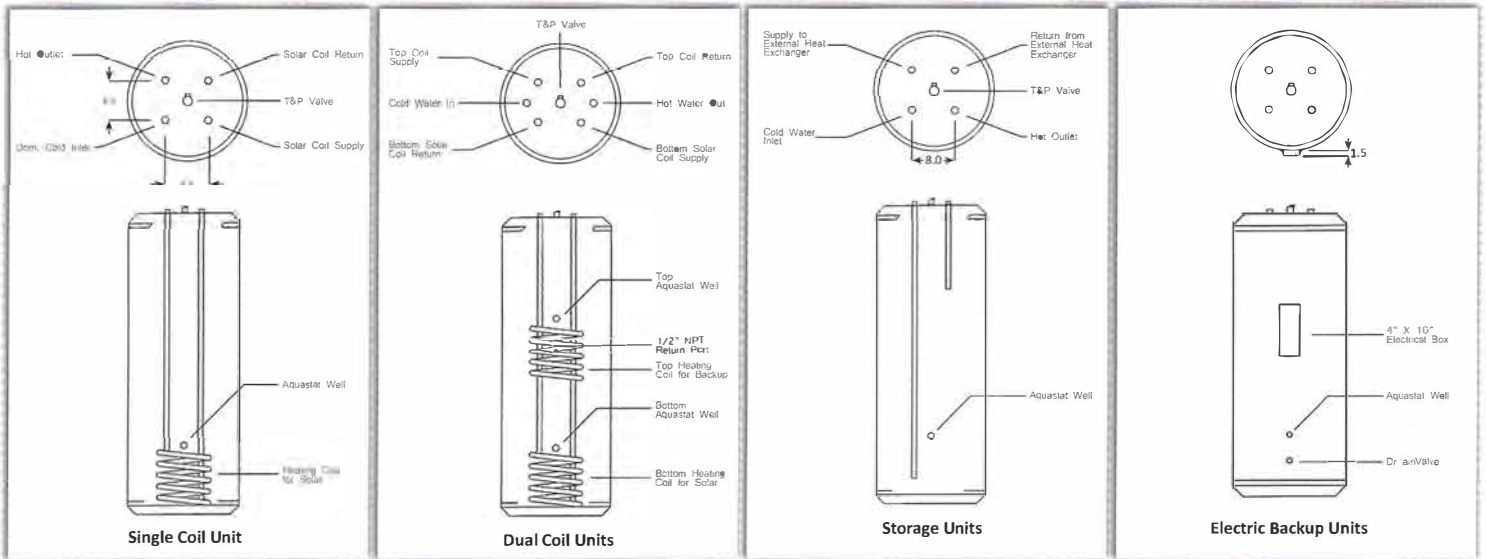
Page 1 of 3.

JOB NAME _____
LOCATION _____
ARCH./ ENGR. _____
WHOLESALE _____
MECH.CONTRACTOR _____
MODEL NO. _____
GALLON CAPACITY _____

STANDARD FEATURES

R-12 INSULATION
THERMOPLASTIC JACKET
STAINLESS STEEL COLD INLET DIP TUBE
LARGE SMOOTH WALL HEATING COILS IN COUNTERFLOW CONFIGURATION
REMOVABLE THERMAL WELL
ALL 316L STAINLESS STEEL CONSTRUCTION, NO DISIMILAR METALS
T+P VALVE AND DRAIN ARE FACTORY INSTALLED
MAGNESIUM ANODE
ELECTRIC BACKUP PROVIDED WITH ELECTRICAL BOX, 3500 WATT HEATING ELEMENT,
THERMOSTAT, AND CONTROL.
PRORATED LIMITED WARRANTY
CONFORMS TO UL STD 174 AND NSF/ANSI 372
CERTIFIED TO CAN/CSA STD C 22.2 NO.110-94

MULTI-ENERGY STORAGE TANKS SUBMITTAL SHEET



Heat Exchanger Coil Outputs

Model	Max. Recovery (Gal./ Hr.)	Max. Recovery (Gal./ Hr.)	Water Flow Through Coil (Gal./Min.)	Pressure Drop Through Coil (Ft. Water)
	Top Coil	Bottom Coil		
115-Gal. Units	190	214	10.0	3.9
80-Gal. Units	180	214	10.0	3.6
60-Gal. Units	185	214	10.0	3.5

Note: All ratings are based on 180 degree F boiler water supply and 50 degree F cold water inlet. In the interest of continuous improvement, specifications are subject to change without notice.

For All Units with 3,500 Watt Electric Backup

Model	First Hour Rating (Gal./ Hr.)		Continuous Rating (Gal./ Hr.)	
	140° F	115° F	140° F	115° F
115-Gal. Units	73.9	80.0	15.9	22.0
80-Gal. Units	55.9	62.0	15.9	22.0
60-Gal. Units	45.9	52.0	15.9	22.0



Conforms to UL STD 174 and NSF/ ANSI 372
Certified to CAN/ CSA STD C22.2 No. 110-94



HF-SOL-SUB-15

**MULTI-ENERGY STORAGE TANKS
SUBMITTAL SHEET**

Page 3 of 3.

Model	Storage Volume (Gal.)	Top Coil Heating Surface (Sq. Ft.)	Bottom Coil Heating Surface (Sq. Ft.)	Dimensions (Inches)		Pipe Connections	Max. Working Pressure (psi)	Approx. Shipping Wt. (Lbs.)
				(Ht.)	(Dia.)			
Single Coil - No Electric Backup								
HF-115	115	---	9.1	74.0	28.0	1" NPT	150	175
HF-80	80	---	8.2	56.0	28.0	1" NPT	150	140
HF-60	60	---	8.6	62.0	23.5	1" NPT	150	125
Single Coil with 3,500 Watt Electric Backup								
HF-115-E	115	---	9.1	74.0	28.0	1" NPT	150	180
HF-80-E	80	---	8.2	56.0	28.0	1" NPT	150	145
HF-60-E	60	---	8.6	62.0	23.5	1" NPT	150	135
Dual Coil - No Electric Backup								
HF-115-D	115	7.4	9.1	74.0	28.0	1" NPT	150	205
HF-80-D	80	7.4	8.2	56.0	28.0	1" NPT	150	175
HF-60-D	60	7.4	8.6	62.0	23.5	1" NPT	150	135
Dual Coil with 3,500 Watt Electric Backup								
HF-115-DE	115	7.4	9.1	74.0	28.0	1" NPT	150	215
HF-80-DE	80	7.4	8.2	56.0	28.0	1" NPT	150	185
HF-60-DE	60	7.4	8.6	62.0	23.5	1" NPT	150	175
Storage Only - No Coil, No Electric Backup								
HF-115-ST	115	---	No Coil Storage Only	74.0	28.0	1" NPT	150	170
HF-80-ST	80	---		56.0	28.0	1" NPT	150	130
HF-60-ST	60	---		62.0	23.5	1" NPT	150	115